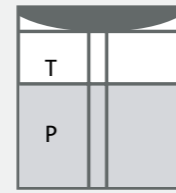
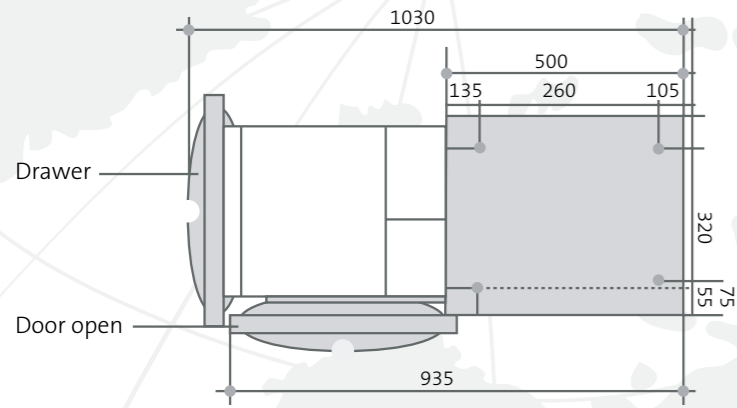
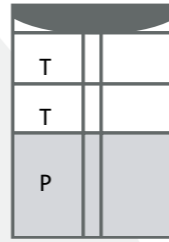


Outline drawing – horizontal section



15 A/C



25 A/C

Specifications				
	15A	15C	25A	25C
Height	540	540	667	667
Width	450	450	450	450
Depth	550	550	550	550
Weight (kg)	55	55	62	62

Control Panel				
	15A	15C	25A	25C
With display	•	•	•	•
With display and keyboard	–	•	–	•

Configuration	
15A/C	25A/C
1 stationery drawer, 1 drawer, 1 container with door	1 stationery drawer, 2 drawers, 1 container with door

We reserve the right to alter product information without any obligation.

An electronic control interface within reach (improved ergonomics.)

Certain models available with an additional storage drawer.

An optional "security lid" protects the contents of the drawer from prying eyes.

Gunnebo security group has an annual turnover of MEUR 730 and 6 800 employees. We are suppliers of integrated security solutions for banking, retail and other sectors requiring high security protection. Our experience and presence makes your world safer.

For more information and contact details of your local sales organisation please visit: [www.gunnebo.com](http://www.gunnebo.com)



# SafePoint Alisea

Functional cash protection solution



# SafePoint Alisea – Functional cash protection solution

SafePoint Alisea is designed for the storage of cash in the workplace and has a programmable time-delay feature to ensure security. The unit is available in four ergonomically designed models with an easy-to-use control panel and door opening to 90°.

To optimise storage, there is an extensive range of fittings options, including a coin drawer, stationery drawer, security compartment. An optional “discretion shutter” can also be added to conceal the contents of each drawer.



A single key is used for activation, deactivation and locking the drawers.



Lockable banknotes case available as option (supplied with 2 keys).

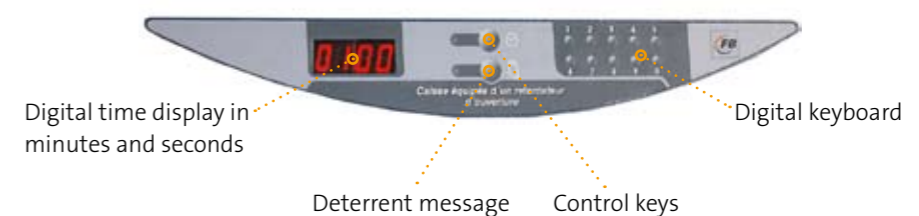


SafePoint Alisea can be anchored to the floor, in the same way as a safe, or mounted in the base. It can also be fitted directly into the furniture using a special fixing kit.



A single key is used for activation, deactivation and locking the drawers, and the electronic control panel is used to operate the unit. The panel also displays the number of minutes remaining on the time delay.

Control panel model SafePoint Alisea



Wide range of fittings to optimise storage capacity

## Features

- Personalised security levels
- LED, digital time display and keyboard, time controls, display code controls
- Networking of several Alisea units
- Connection to the central security system
- Motorised locking system
- Bundle deposit

## Options

- Lockable banknotes case (with 2 keys)
- Security lid
- Pedestal without wheels (60/80mm)
- Pedestal with wheels (187mm)
- Duress alarm kit
- Cheque divider kit
- Deposit box
- Fixing kit for floor anchoring (4 screws)

Ergonomically designed to fit into your work place

