

Secure Disc

for fire protection of data media

Ever thought about what would happen if you had a fire and lost all of your computer data? Statistics show that 80% of all companies that lose their computer data are out of business within three months. The answer is to protect your valuable data media with the Secure Disc.



Styled to fit any environment, the Secure Disc is a safe designed for the protection of data media whilst offering up to 60 minutes of fire protection.

Model

The Secure Disc is available in two models. Secure Disc 36 is a dedicated computer media protection cabinet and specially designed to equip CD/DVDs. Secure Disc 52 is a larger unit that has one section for computer media protection and a separate section, with a shelf, for document protection.



Locking

All safes are available with a user friendly electronic pin-code or a key lock.

Certification

Both Secure Disc models are tested and certified to NT Fire 017 – 60 Diskette, which means that your computer data is protected even after being subjected to a fire lasting 60 minutes. Due to the insulated walls and special insert, the internal temperature will not rise above 52°C.

Additional features

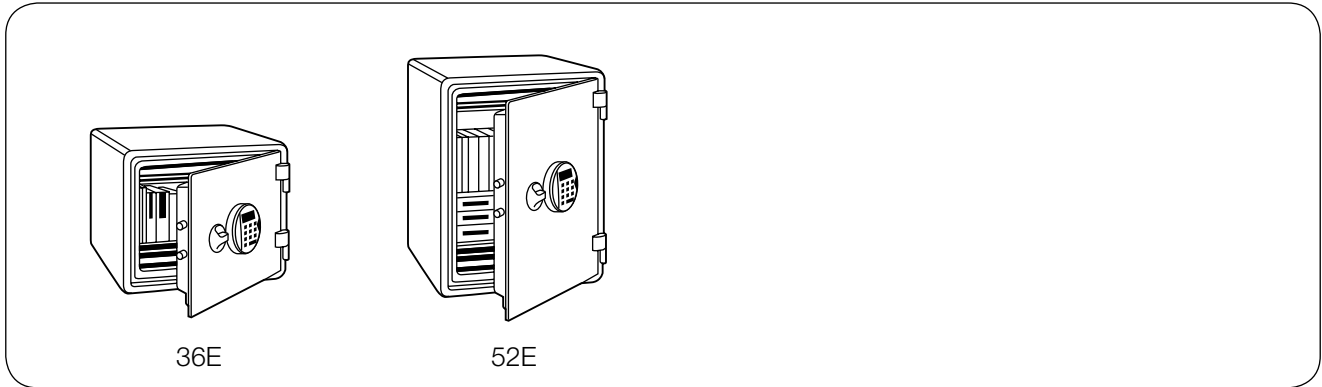
The insert is equipped with a high quality latch handle which allows for the easy opening of the inner compartment and secure closure. The compartment latch and hinge are finished in chrome.

Design

The Secure Disc range will complement any user environment and comes in a modern two-tone finish of light and dark grey. The data media insert is finished in off-white.

Secure Disc

Models



SLGB.1011.R10

Product data

Key lock

Model	Article No.	External dimensions (mm)			Internal dimensions (mm)			Volume (litres)	Weight (kg)	Shelf (qty)
		Height	Width	Depth	Height	Width	Depth			
SDI-36K	SL03820	345	424	458	150	230	195	7	44	–
SDI-52K	SL03821	520	410	445	320	210	195	14	71	1

Electronic lock

Model	Article No.	External dimensions (mm)			Internal dimensions (mm)			Volume (litres)	Weight (kg)	Shelf (qty)
		Height	Width	Depth	Height	Width	Depth			
SDI-36E	SL03800	345	424	458	150	230	195	7	44	–
SDI-52E	SL03801	520	410	445	320	210	195	14	71	1

SecureLine policy is one of constant improvement. The above specification may therefore be altered without prior notification.

www.Secure-Line.net

Authorised dealer:

